

## 5A MICROOHM METER

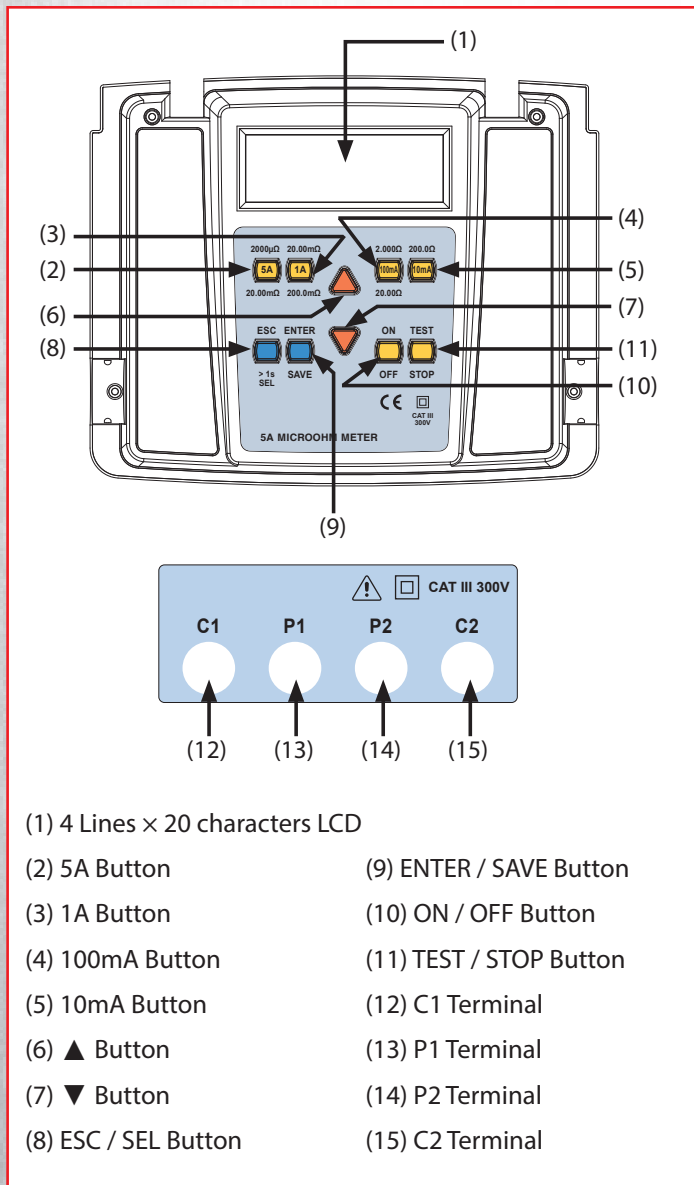


- Maximum testing current of 5A
- Ranges:
 

2000 $\mu\Omega$ / 20.00m $\Omega$	5A
20.00m $\Omega$ / 200.0m $\Omega$	1A
2.000 $\Omega$ / 20.00 $\Omega$	100mA
200.0 $\Omega$	10mA
- Maximum resolution of 1 $\mu\Omega$  at 5A
- Four terminal measurement
- 4 Lines  $\times$  20 Characters LCD
- Memory function (200 measurement results)
- Auto power off
- Low battery indication
- Power source: 1.5V "C" alkaline battery  $\times$  8
- Safety Standard: IEC/EN 61010-1 CAT III 300V  
EN 61326-1



## INSTRUMENT LAYOUT



## SPECIFICATIONS

### 4-wire method measurement

Measuring ranges / resolution	2000μΩ / 1μΩ
	20.00mΩ / 0.01mΩ
	200.0mΩ / 0.1mΩ
	2.000Ω / 1mΩ
	20.00Ω / 0.01Ω
Accuracy	±(1% + 4 dgt)
Testing current	5A: 2000μΩ / 20.00mΩ
	1A: 20.00mΩ / 200.0mΩ
	100mA: 2.000Ω / 20.00Ω
	10mA: 200.0Ω

### General

Operating temperature	0~40°C
Operating humidity	80% RH
Dimensions	322(L) × 260(W) × 135(D)mm
Weight (battery included)	Approx. 3328 g
Power source	1.5V "C" alkaline battery × 8
Safety standard	IEC/EN 61010-1 CAT III 300V EN 61326-1
Accessories	Instruction manual
	Test leads
	Shoulder belt
	Alkaline batteries

