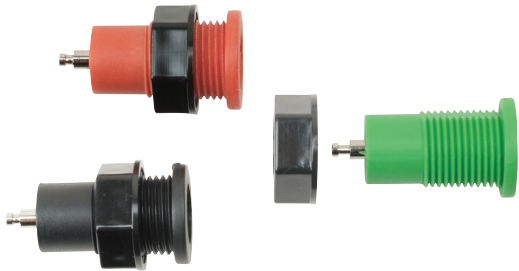


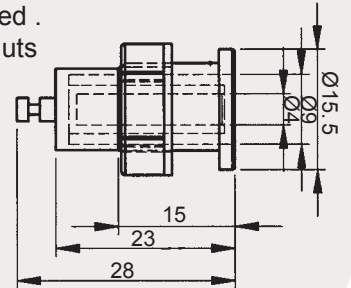
Terminal

TER-6200



Sockets nylon
4 m/m sockets with shrouded contact compatible with shrouded . plugs and leads supplied with nuts for panel mounting.

- TER-6200B Black**
- TER-6200R Red**
- TER-6200G Green**

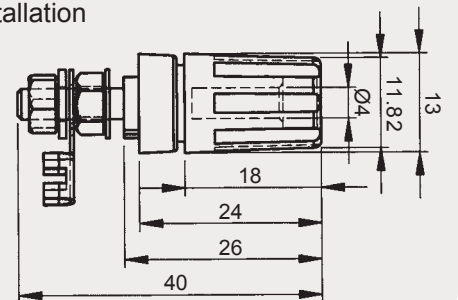


TER-205



4 m/m sockets with insulated head and base for installation in unit.
ABS resin head.

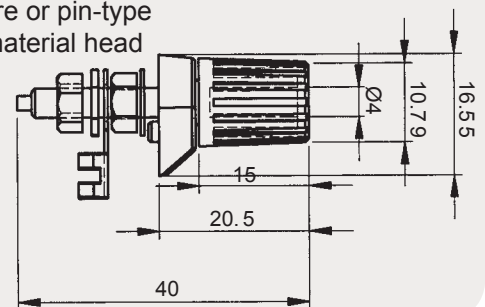
- TER-205B Black**
- TER-205R Red**



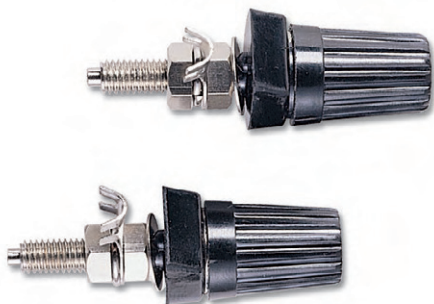
TER-305



4 m/m banana socket captive head suitable for wire or pin-type test head bakelite material head and base.



TER-2000



5 m/m captive head suitable for wire or pin-type test head bakelite material base.

