

SEW

NON-CONTACT HIGH VOLTAGE DETECTOR

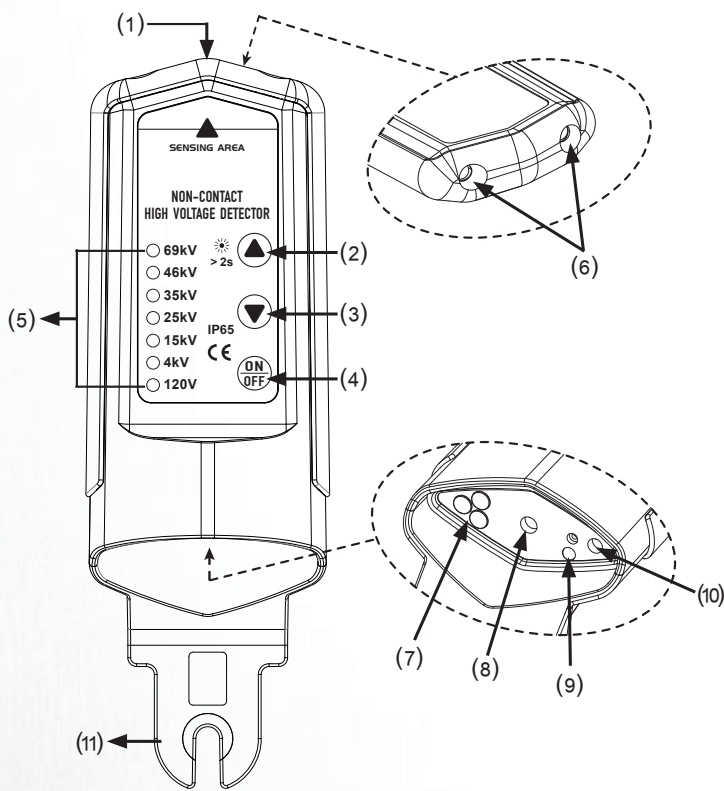


The 380 HP is a new tool for checking the presence of AC high voltages and low voltages. It is waterproof and has seven voltage detection settings from 120Vac to 69kVac.

The 380 HP provides a non-contact detection of AC voltages with an internal pickup sensor plate.

- Protection class : IP65
- 7 voltage settings : 120V, 4kV, 15kV, 25kV, 35kV, 46kV, 69kV
- Bright LED visual indication
- Vibration function
- Frequency range: 40~70Hz
- Audible indication
- Easy-to-prove method
- Power source :
9V rechargeable battery
- Can be charged with the automotive
- Non-contact detection by proximity
- Compatible with most hot sticks
- Lightweight, robust & compact
- Special ranges are available upon request
- Flashlight function
- Safety standard :
EN 61326-1 CISPR 11
- Operating temperature and humidity :
0°C ~ 40°C / 80% R.H. Max.
- Dimensions:
262(L) × 85(W) × 56(D)mm
- Weight: Approx. 330g

INSTRUMENT LAYOUT



- (1) Sensing area
- (2) Voltage range selection "▲" button and "> 2s" flashlight button
- (3) Voltage range selection "▼" button
- (4) ON/OFF button
- (5) Voltage range indication LEDs
- (6) Flashlight
- (7) Voltage detection LEDs
- (8) Buzzer
- (9) Charging LED
- (10) Charging socket
- (11) Connection end

APPLICATIONS

- Non-contact detection of live voltages.
- Find faults in cables.
- Check and detect live high voltage cables.
- Trace live wires.
- Check high frequency radiation.
- Check grounding equipment.
- Detect residual or induced voltages.

SEW

ACCESSORIES



- ① Type I plug (Depends on the customer's need)
- ② Type C plug (Depends on the customer's need)
- ③ Type G plug (Depends on the customer's need)
- ④ Type A plug (Depends on the customer's need)
- ⑤ General charger
- ⑥ Automotive charger
- ⑦ Pouch



- Charging with the automotive charger in a car.