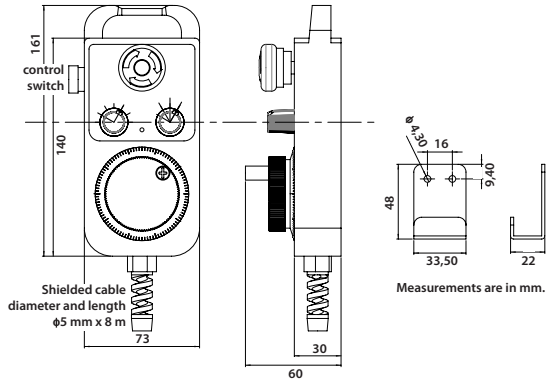
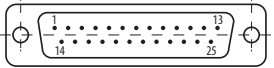


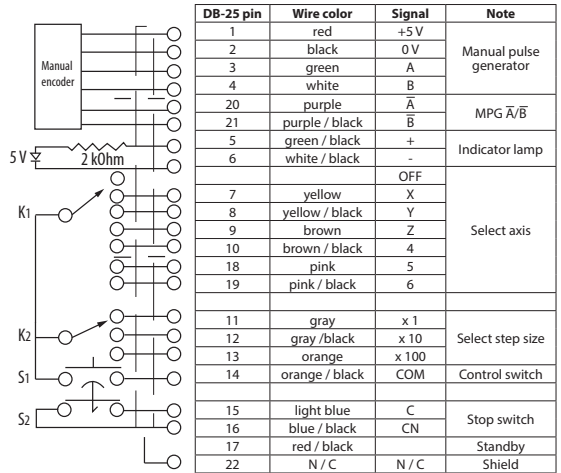
PoPendant



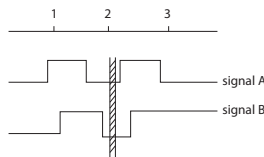
Pinout layout (viewed from the connector side)



Electrical specifications of the encoder	
Output wave	Square wave
Output signals	A/ \bar{A} and B/ \bar{B}
Current consumption	$\leq 150 \text{ mA}$
Response frequency	0~20 kHz
Output phase difference	$90^\circ + 45^\circ$
Supply voltage	5 V DC
Signal level	$V_H \geq 85\% V_{CC}, V_L \leq 0.3 \text{ V}$
Number of pulses	100 per revolution
Output circuit	Line driver, Voltage
Indicator voltage	5 V
Mechanical specifications	
Click torque	$2.0 \times 10^{-2} \sim 6.0 \times 10^{-2} \text{ Nm}$ (+25°C)
Shock resistance	980 m/s ² , 6 ms, 2 times on XYZ
Vibration proof	50 m/s ² , 10~200 Hz, 2 hours each on XYZ
Working life	MTBF $\geq 10000 \text{ h}$ (+25°C, 2000 rpm)
Weight	Approx. 740g
Environmental specifications	
Operating humidity	30 ~ 85 %RH (No condensation)
Storage temperature	-30 ~ +85 °C
Operating temperature	-10 ~ +70 °C
Protection class	IP54



Output waveform 90° output phase difference, CW rotation (CW rotation as seen from top surface).



A leads B clockwise when viewing the encoder shaft end. Click-stop position falls within hatched area.

Electrical specifications of selection switch	
Max. voltage	25 V
Max. current	50 mA
Electrical specifications of control switch	
AC Max. load	AC230 V, 0.5 A
DC Max. load	DC24 V, 0.5A
Electrical specifications of stop switch	
AC Max. load	AC230V, 0.5 A
DC Max. load	DC30 V, 0.6 A